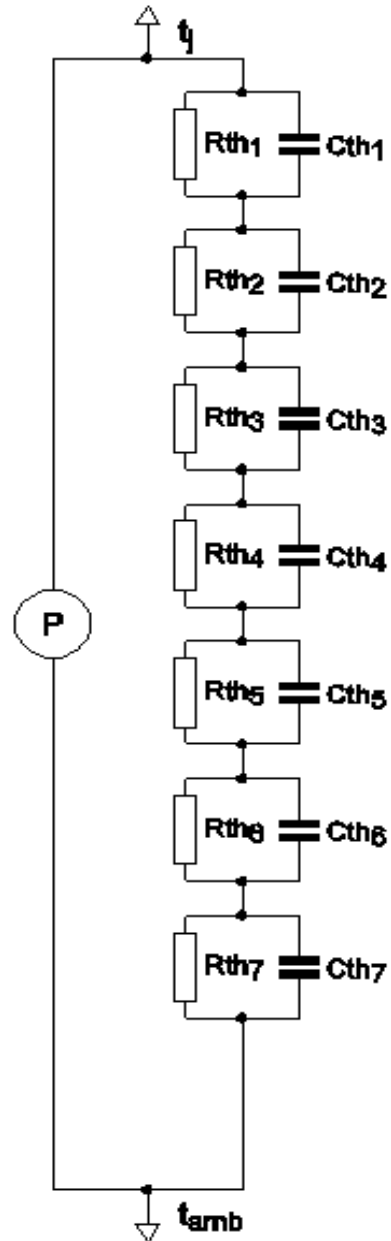


## SPICE thermal model

BUK7Y15-60E

| Symbol         | Parameter   | Conditions | Min | Typ | Max  | Unit |
|----------------|---|------------|-----|-----|------|------|
| $R_{th(j-mb)}$ | thermal resistance from junction to mounting base |            | -   | -   | 1.58 | K/W  |

|           |                    |
|-----------|--------------------|
| $C_{th1}$ | 2.916E-05 F        |
| $C_{th2}$ | 1.726E-04 F        |
| $C_{th3}$ | 2.092E-04 F        |
| $C_{th4}$ | 1.786E-03 F        |
| $C_{th5}$ | 2.130E-03 F        |
| $C_{th6}$ | 8.451E-03 F        |
| $C_{th7}$ | 8.634E-02 F        |
| $R_{th1}$ | 2.749E-03 $\Omega$ |
| $R_{th2}$ | 5.716E-03 $\Omega$ |
| $R_{th3}$ | 4.154E-02 $\Omega$ |
| $R_{th4}$ | 5.616E-02 $\Omega$ |
| $R_{th5}$ | 3.287E-01 $\Omega$ |
| $R_{th6}$ | 1.016E+00 $\Omega$ |
| $R_{th7}$ | 1.301E-01 $\Omega$ |



Part: BUK7Y15-60E  
 Date: 25/1/2013  
 Rth 1.58 K/W